

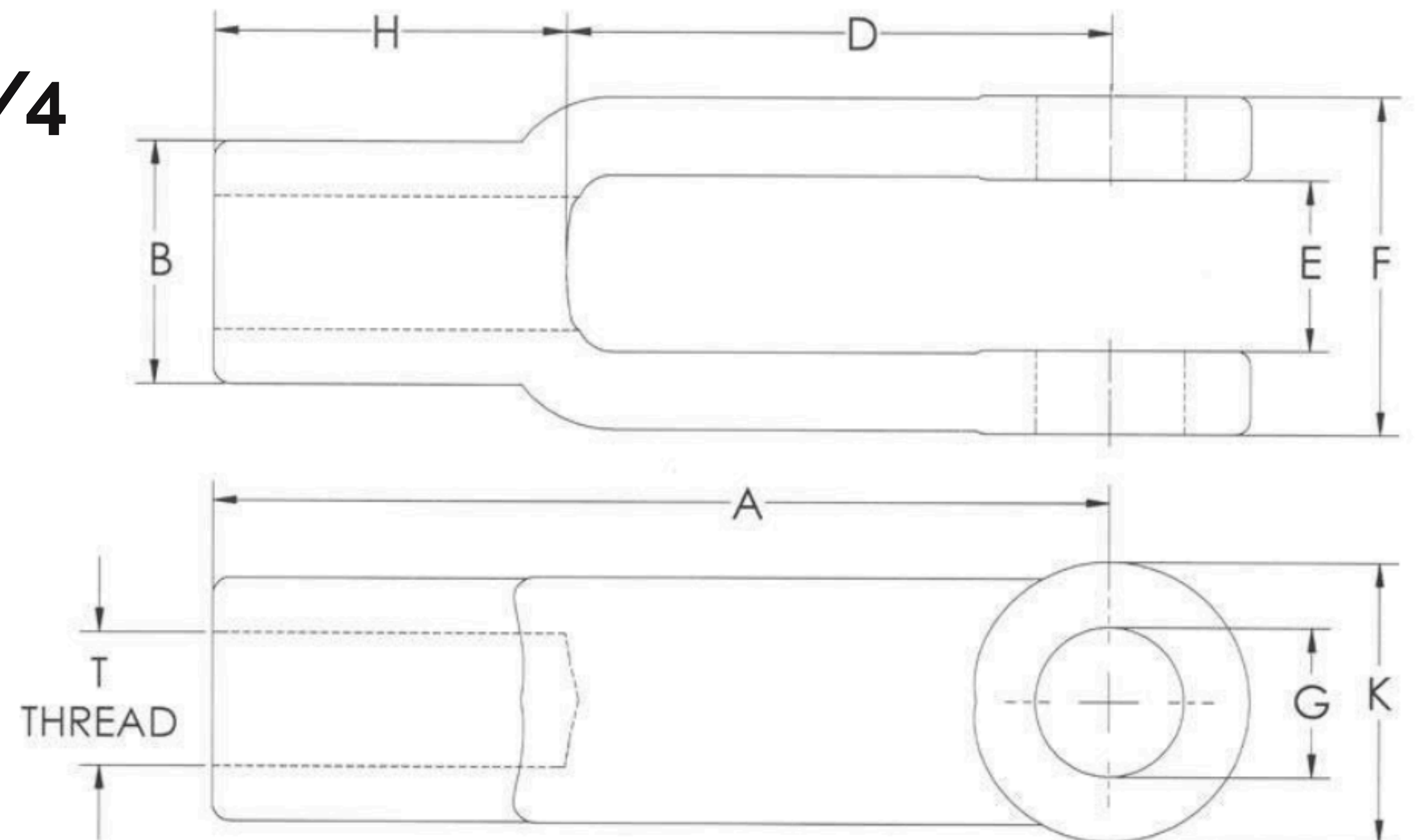
# EXTRÉMITÉS A CHAPE

## YOKE END

1/4 - 5/16 - 3/8 - 7/16 - 1/2 - 5/8 - 3/4

FINI/FINISH : Acier nu / Plain steel

- Process: Forged
- Material: Carbon Steel
- Finish: Self-Colored, Plated, Black-Oxide
- Threads: UNC, UNF 2B, Right or Left Hand



EXTRÉMITÉS A CHAPE YOKE END		DIAMÈTRE DIAMETER	FILET THREAD	LONGUEUR LENGTH
	YE-1428	1/4	28	2"
	YE-1428-LH*	1/4	28	2"
	YE-51624	5/16	24	2.1/4"
	YE-51624-LH*	5/16	24	2.1/4"
	YE-3824	3/8	24	2.1/2"
	YE-3824-LH*	3/8	24	2.1/2"
	YE-71620	7/16	20	2.7/8"
	YE-1220	1/2	20	3"
	YE-1220-LH*	1/2	20	3"
	YE-5818	5/8	18	4.15/16"
	YE-5818-LH*	5/8	18	4.15/16"
	YE-3416	3/4	16	6.1/16"
	YE-3416-LH*	3/4	16	6.1/16"

\*

LF = Left hand thread  
Filet à gauche

A	B	D	E	F	G	H	K
2	7/16	1 1/4	9/32	5/8	1/4	3/4	1/2
2 1/4	1/2	1 7/16	11/32	3/4	5/16	13/16	19/32
2 1/2	5/8	1 5/8	7/16	7/8	3/8	7/8	11/16
2 7/8	23/32	1 7/8	1/2	1	7/16	1	13/16
3	13/16	1 7/8	9/16	1 1/8	1/2	1 1/8	15/16
3	13/16	1 7/8	9/16	1 1/8	1/2	1 1/8	15/16
4 15/16	1 1/16	3 11/16	11/16	1 3/8	5/8	1 1/4	1 3/16
6 1/16	1 1/4	4 9/16	13/16	1 5/8	3/4	1 1/2	1 7/16
4	1 1/8	2 3/4	11/16	1 1/2	5/8	1 1/4	1 3/8