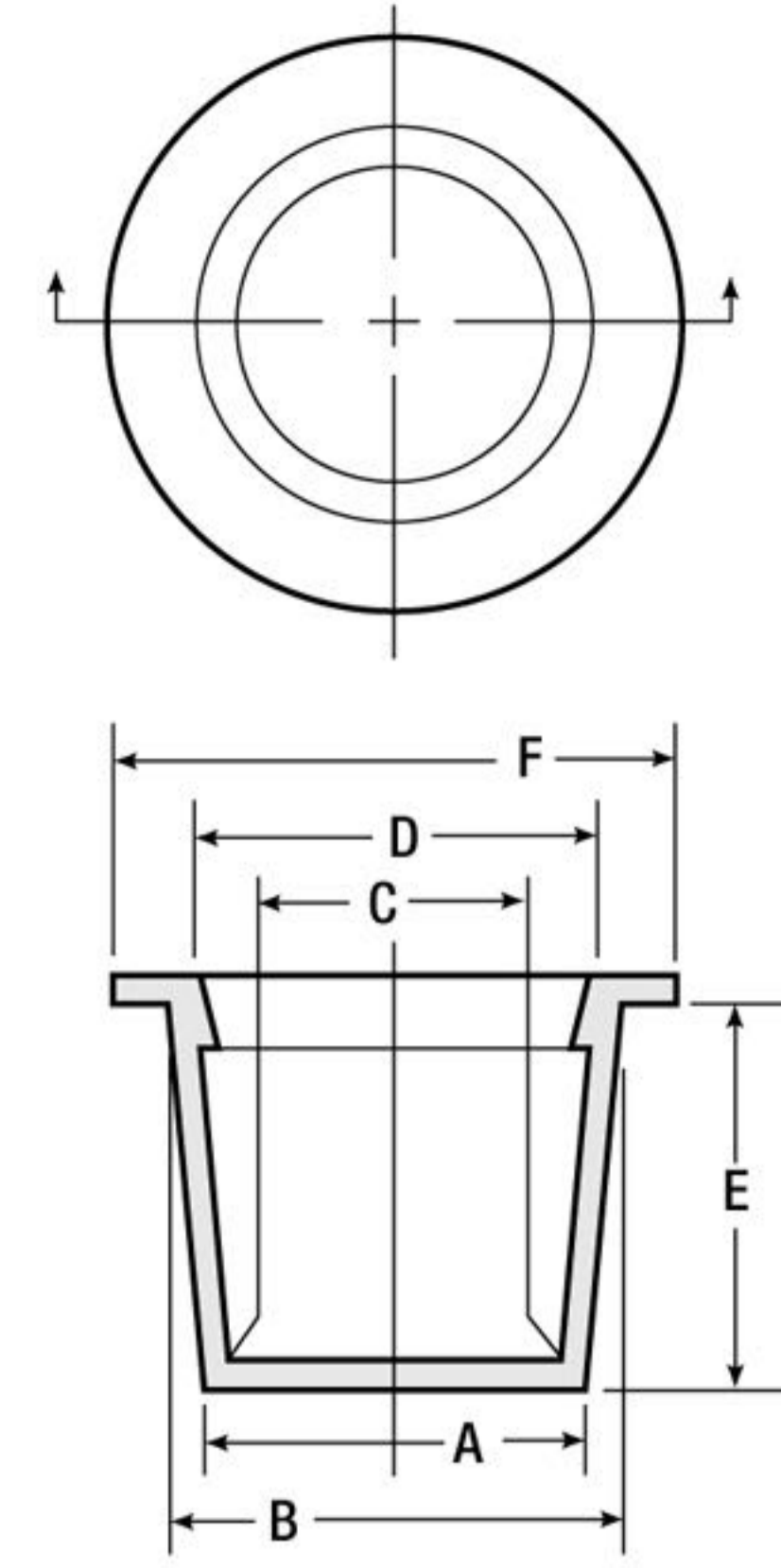


SKU: H-CAP

BOUCHON/CAPUCHON

CAP & PLUG

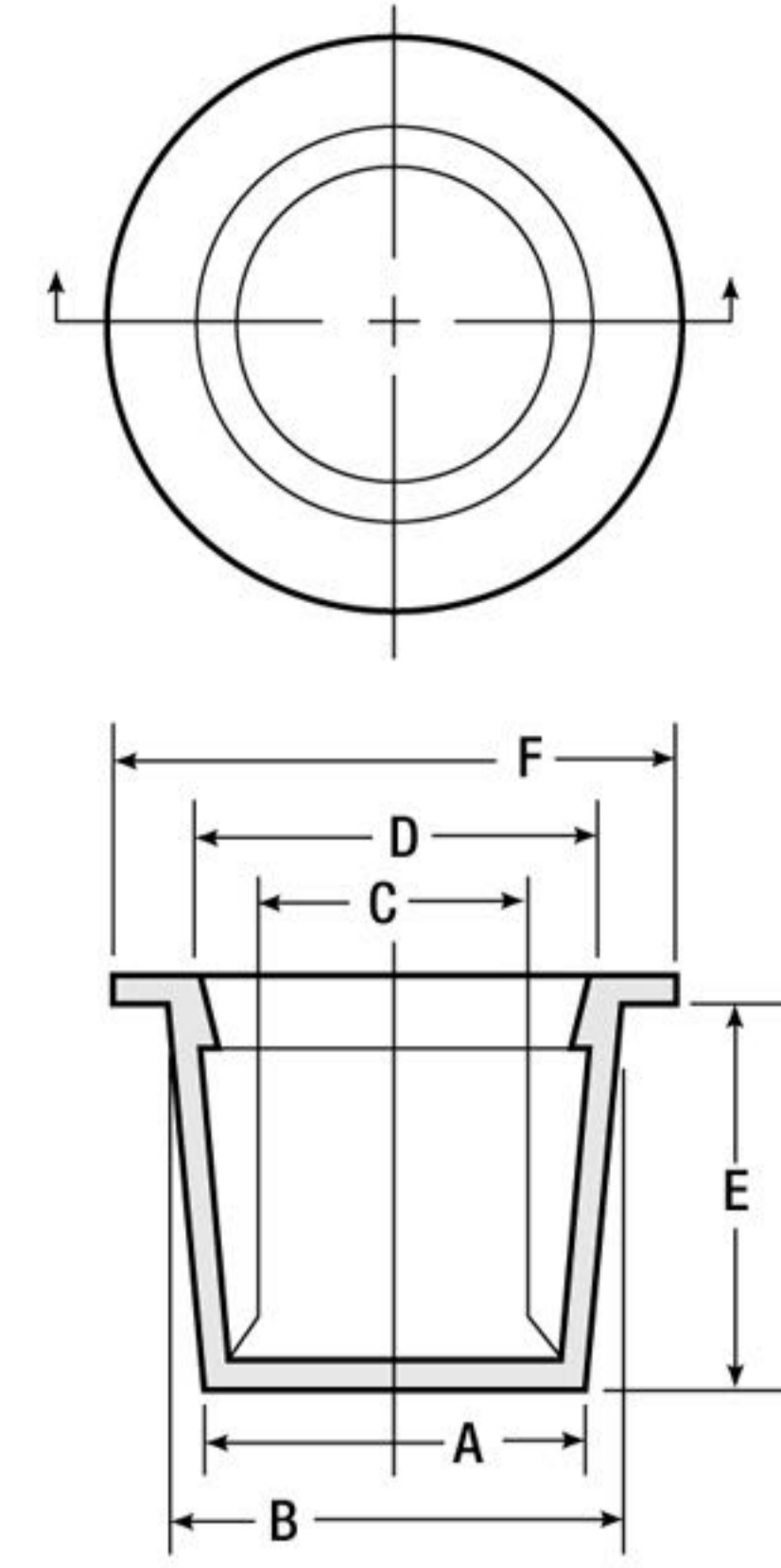


ID	A	B	C	D	E	F	Autre numéro Other number
H-CAP-00	0.116 in 2.95 mm	0.182 in 4.62 mm	0.053 in 1.35 mm	0.12 in 3.05 mm	0.38 in 9.65 mm	0.31 in 7.87 mm	
H-CAP-0	0.173 in 4.39 mm	.24 in 6.10 mm	0.111 in 2.82 mm	0.177 in 4.50 mm	0.38 in 9.65 mm	0.38 in 9.65 mm	2
H-CAP-1	0.236 in 5.99 mm	0.302 in 7.67 mm	0.174 in 4.42 mm	0.24 in 6.10 mm	0.38 in 9.65 mm	0.44 in 11.18 mm	5
H-CAP-1X	0.267 in 6.78 mm	0.335 in 8.51 mm	0.205 in 5.21 mm	0.273 in 6.93 mm	0.38 in 9.65 mm	0.47 in 11.94 mm	6
H-CAP-2	0.299 in 7.59 mm	0.365 in 9.27 mm	0.235 in 5.97 mm	0.302 in 7.67 mm	0.38 in 9.65 mm	.500 in 12.70 mm	7
H-CAP-2X	0.33 in 8.38 mm	0.396 in 10.06 mm	0.267 in 6.78 mm	0.333 in 8.46 mm	0.38 in 9.65 mm	0.53 in 13.46 mm	8
H-CAP-3	0.361 in 9.17 mm	0.427 in 10.85 mm	0.298 in 7.57 mm	0.365 in 9.27 mm	0.38 in 9.65 mm	0.56 in 14.22 mm	9
H-CAP-3X	0.39 in 9.91 mm	0.456 in 11.58 mm	0.327 in 8.31 mm	0.394 in 10.01 mm	0.38 in 9.65 mm	0.59 in 14.99 mm	10
H-CAP-4	0.419 in 10.64 mm	0.485 in 12.32 mm	0.356 in 9.04 mm	0.422 in 10.72 mm	0.38 in 9.65 mm	0.63 in 16.00 mm	11
H-CAP-4X	0.447 in 11.35 mm	0.513 in 13.03 mm	0.385 in 9.78 mm	0.451 in 11.46 mm	0.38 in 9.65 mm	0.66 in 16.76 mm	12
H-CAP-5	0.471 in 11.96 mm	0.547 in 13.89 mm	0.409 in 10.39 mm	0.485 in 12.32 mm	0.44 in 11.18 mm	0.69 in 17.53 mm	13
H-CAP-5X	0.500 in 12.700 mm	0.576 in 14.63 mm	.44 in 11.18 mm	0.516 in 13.11 mm	0.44 in 11.18 mm	0.72 in 18.29 mm	14
H-CAP-6	0.532 in 13.51 mm	0.608 in 15.44 mm	0.468 in 11.89 mm	0.545 in 13.84 mm	0.44 in 11.18 mm	0.750 in 19.05 mm	16
H-CAP-6X	.55 in 13.97 mm	0.631 in 16.03 mm	0.487 in 12.37 mm	0.568 in 14.43 mm	0.47 in 11.94 mm	0.750 in 19.05 mm	17
H-CAP-7	.580 in 14.73 mm	0.667 in 16.94 mm	0.518 in 13.16 mm	0.605 in 15.37 mm	.500 in 12.70 mm	0.81 in 20.57 mm	18
H-CAP-7X	0.61 in 15.49 mm	0.695 in 17.65 mm	0.549 in 13.95 mm	0.634 in 16.10 mm	.500 in 12.70 mm	0.84 in 21.34 mm	20
H-CAP-8	0.64 in 16.26 mm	0.727 in 18.47 mm	0.578 in 14.68 mm	0.664 in 16.87 mm	.500 in 12.70 mm	0.88 in 22.35 mm	21
H-CAP-8X	.675 in 17.15 mm	0.755 in 19.18 mm	0.613 in 15.57 mm	0.693 in 17.60 mm	.500 in 12.70 mm	0.88 in 22.35 mm	22
H-CAP-9	.69 in 17.53 mm	0.788 in 20.02 mm	0.628 in 15.95 mm	0.726 in 18.44 mm	0.56 in 14.22 mm	0.94 in 23.88 mm	23
H-CAP-9X	0.725 in 18.42 mm	0.823 in 20.91 mm	0.663 in 16.84 mm	0.761 in 19.33 mm	0.56 in 14.22 mm	0.97 in 24.64 mm	26
H-CAP-10	.75 in 19.05 mm	0.848 in 21.54 mm	.687 in 17.45 mm	0.785 in 19.94 mm	0.56 in 14.22 mm	1.00 in 25.40 mm	27
H-CAP-11	0.802 in 20.37 mm	0.911 in 23.14 mm	0.74 in 18.80 mm	0.849 in 21.57 mm	.630 in 16.00 mm	1.06 in 26.93 mm	25
H-CAP-11X	0.815 in 20.70 mm	.93 in 23.62 mm	0.753 in 19.13 mm	0.868 in 22.05 mm	.630 in 16.00 mm	1.09 in 27.69 mm	29
H-CAP-12	0.866 in 22.00 mm	0.975 in 24.77 mm	0.803 in 20.40 mm	0.912 in 23.17 mm	.630 in 16.00 mm	1.13 in 28.70 mm	31
H-CAP-12X	0.915 in 23.24 mm	1.04 in 26.42 mm	0.855 in 21.72 mm	0.980 in 24.89 mm	.690 in 17.53 mm	1.16 in 29.47 mm	35

SKU: H-CAP

BOUCHON/CAPUCHON

CAP & PLUG



ID		A	B	C	D	E	F	Autre numéro
								Other number
	H-CAP-13	0.964 in 24.49 mm	1.09 in 27.69 mm	0.901 in 22.89 mm	1.027 in 26.09 mm	.750 in 19.05 mm	1.25 in 31.75 mm	40
	H-CAP-13X	0.995 in 25.27 mm	1.145 in 29.08 mm	0.933 in 23.70 mm	1.083 in 27.51 mm	.750 in 19.05 mm	1.31 in 33.28 mm	41
	H-CAP-14	1.094 in 27.79 mm	1.215 in 30.86 mm	1.031 in 26.19 mm	1.152 in 29.26 mm	.750 in 19.05 mm	1.41 in 35.82 mm	42
	H-CAP-14X	1.175 in 29.85 mm	1.284 in 32.61 mm	1.113 in 28.27 mm	1.222 in 31.04 mm	.630 in 16.00 mm	1.44 in 36.58 mm	44
	H-CAP-15	1.224 in 31.09 mm	1.355 in 34.42 mm	1.161 in 29.49 mm	1.292 in 32.82 mm	.750 in 19.05 mm	1.50 in 38.10 mm	45
	H-CAP-15X	1.235 in 31.37 mm	1.36 in 34.55 mm	1.173 in 29.80 mm	1.298 in 32.97 mm	0.81 in 20.57 mm	1.50 in 38.10 mm	46
	H-CAP-17	1.447 in 36.76 mm	1.60 in 40.64 mm	1.384 in 35.15 mm	1.537 in 39.04 mm	0.88 in 22.35 mm	1.75 in 44.45 mm	53
	H-CAP-17S	1.513 in 38.43 mm	1.60 in 40.64 mm	1.451 in 36.86 mm	1.537 in 39.04 mm	.500 in 12.70 mm	1.75 in 44.45 mm	54
	H-CAP-18	1.56 in 39.63 mm	1.682 in 42.72 mm	1.498 in 38.05 mm	1.62 in 41.15 mm	.750 in 19.05 mm	1.88 in 47.75 mm	55
	H-CAP-19	1.75 in 44.45 mm	1.88 in 47.75 mm	1.688 in 42.88 mm	1.818 in 46.18 mm	.750 in 19.05 mm	2.00 in 50.80 mm	57
	H-CAP-20	1.78 in 45.21 mm	1.95 in 49.53 mm	1.718 in 43.64 mm	1.888 in 47.96 mm	1 in 25.40 mm	2.13 in 54.10 mm	58
	H-CAP-210	1.844 in 46.84 mm	2.00 in 50.80 mm	1.781 in 45.24 mm	1.938 in 49.23 mm	1 in 25.40 mm	2.13 in 54.10 mm	
	H-CAP-220	1.975 in 50.17 mm	2.132 in 54.15 mm	1.913 in 48.59 mm	2.07 in 52.58 mm	1 in 25.40 mm	2.25 in 57.15 mm	63
	H-CAP-230	2.136 in 54.26 mm	2.312 in 58.73 mm	2.074 in 52.68 mm	2.25 in 57.15 mm	1 in 25.40 mm	2.56 in 65.03 mm	67
	H-CAP-240	2.298 in 58.37 mm	2.464 in 62.59 mm	2.235 in 56.77 mm	2.401 in 60.99 mm	1 in 25.40 mm	2.63 in 66.8 mm	71